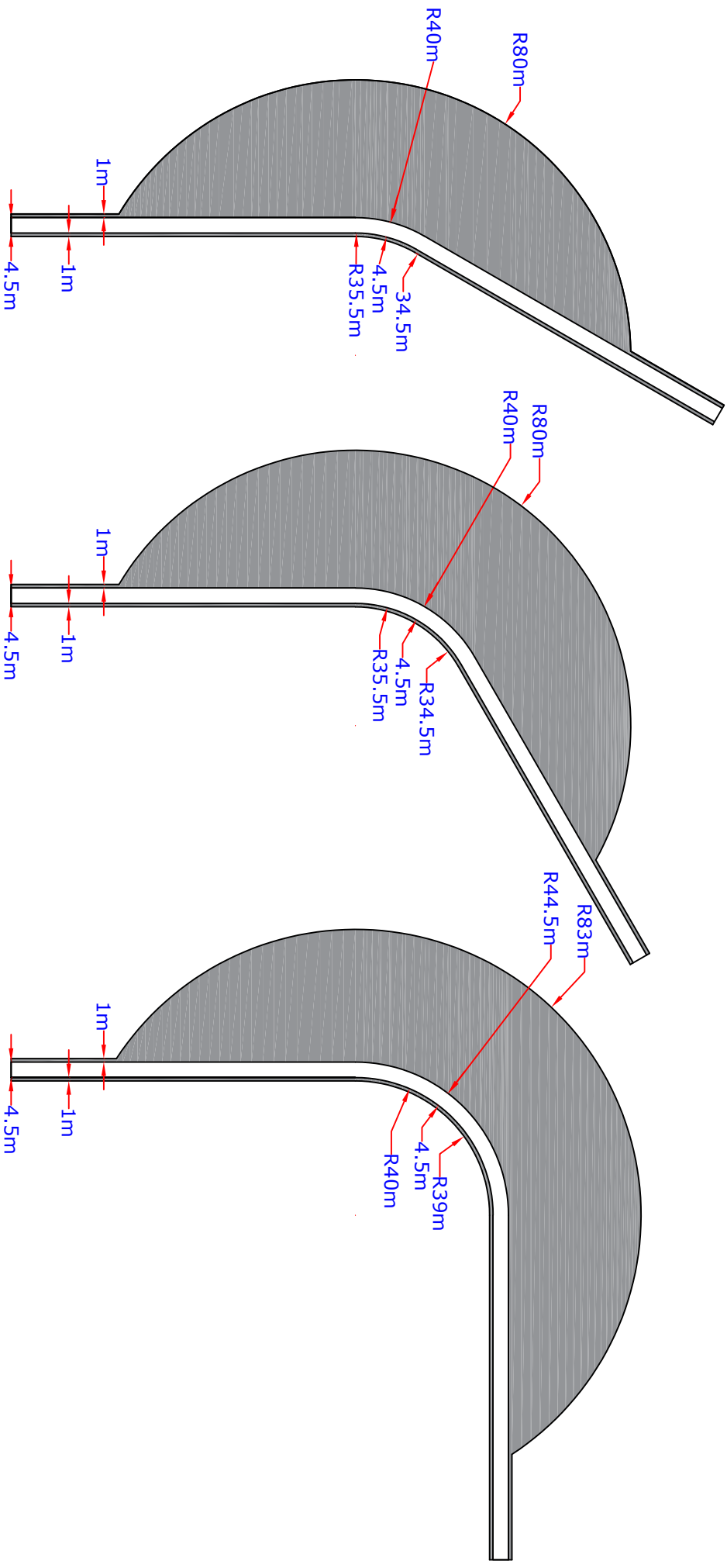


DO NOT SCALE - FOR INFORMATION PURPOSES ONLY



Hatched area required for oversail

Blade in horizontal position at 0°



TITLE 74m BLADE RADII - 30° - 60° - 90°

DATE 01/01/2019 DRG No. B74.1 TRACK