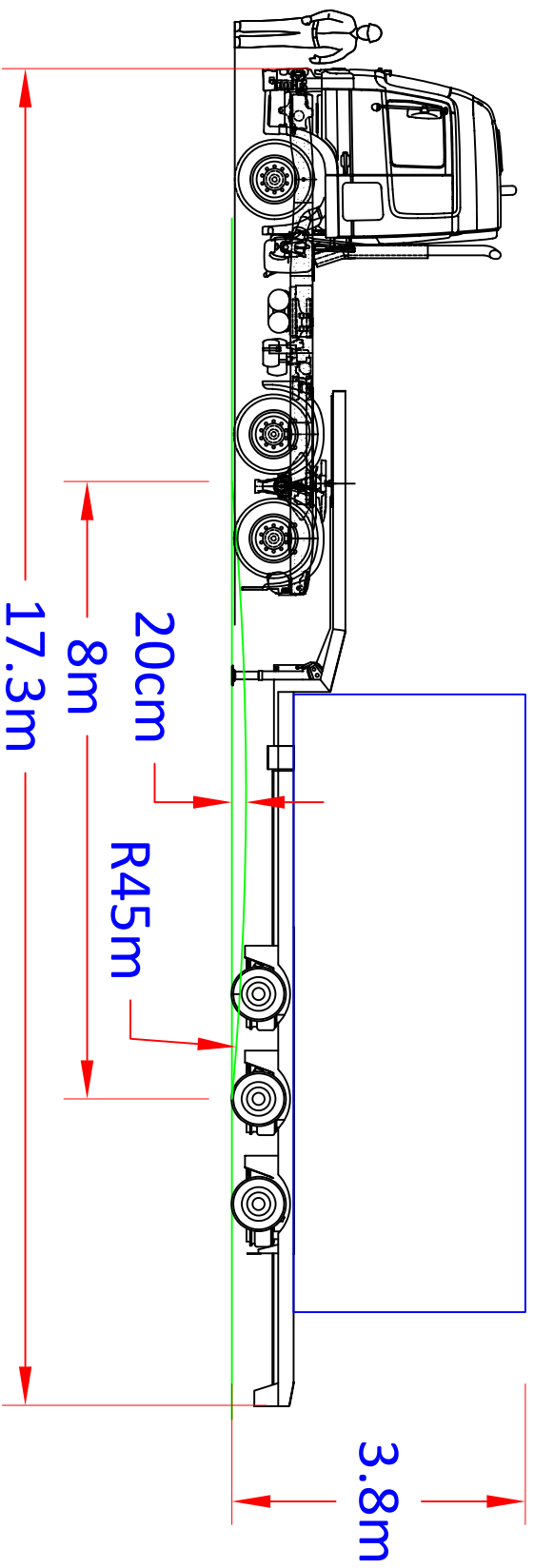
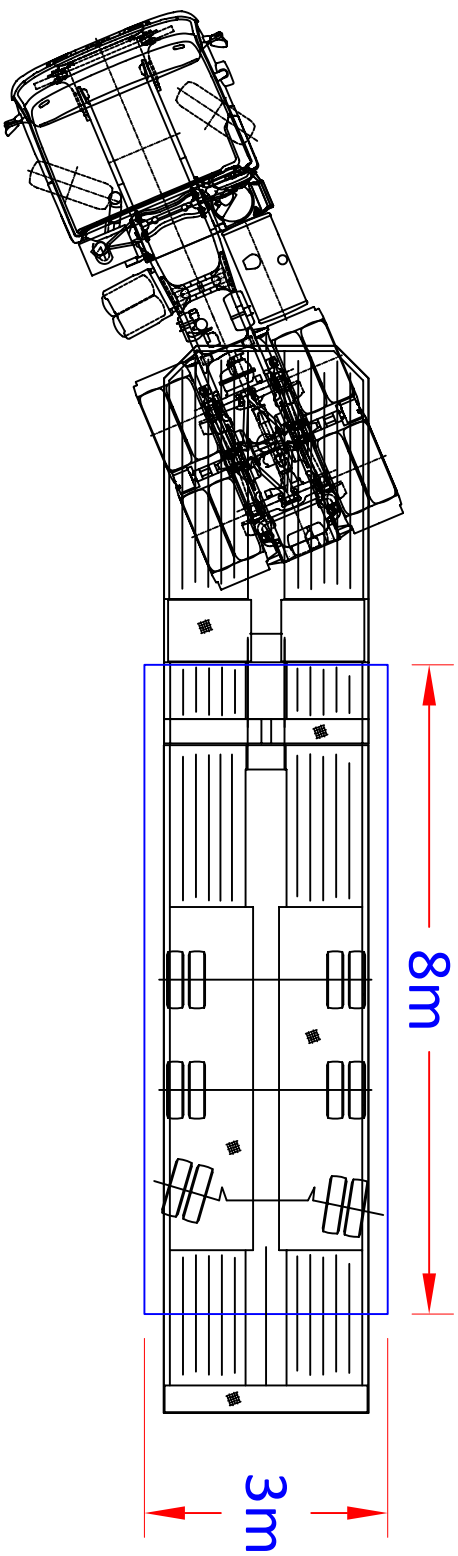


DO NOT SCALE - FOR INFORMATION PURPOSES ONLY



TITLE	30T NACELLE - STEPPFRAME
DATE	01/01/2019
DRG No.	N30.1